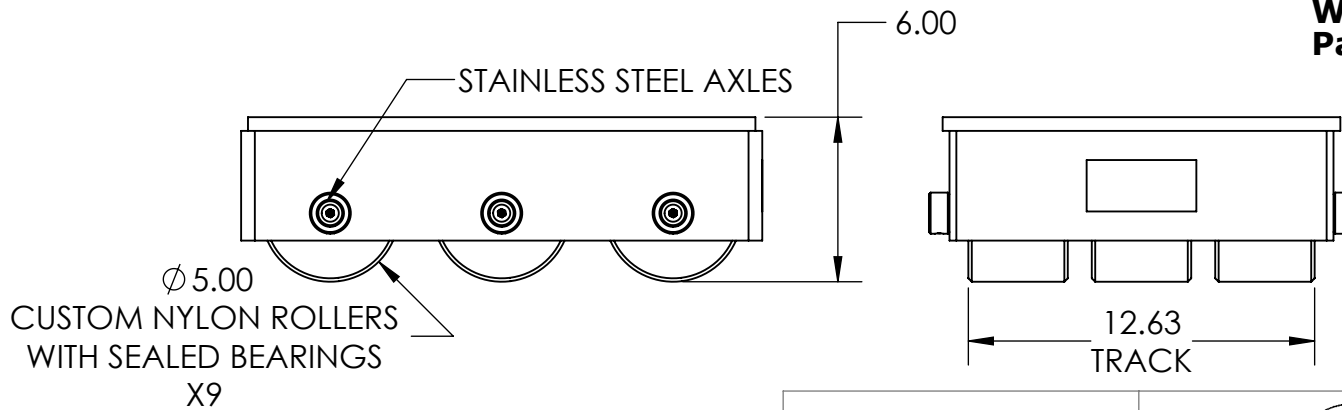


Model Number » Custom Skate
Capacity » 22 Tons Each
Roller Material » Nylon with Sealed Bearings
Length » 19"
Width » 15-1/2"
Height » 6"
Weight » 145 lbs. (Estimated)
Paint » Hevi-Haul Red

12X ϕ .31 THRU ALL
 3/8-16 UNC THRU ALL




APPROVED FOR PRODUCTION

APPROVAL SIGNATURE: _____

PRINT NAME: _____ DATE: _____

RETURN SIGNED APPROVAL DRAWING TO HEVI-HAUL BY E-MAIL OR FAX. LEAD TIMES ARE DRIVEN BY THE RECEIPT OF THE SIGNED APPROVAL DRAWING FOR ALL CUSTOM AND MODIFIED PRODUCTS.

SHEET: 1 of 1		 PRODUCTS THAT MOVE THE WORLD		Hevi-Haul International, Ltd. PO Box 580 Menomonee Falls, WI 53052-0580 sales@hevihaul.com 1-800-558-0577 (262) 502-0333		DIMENSIONS ARE IN INCHES	
PROPRIETARY AND CONFIDENTIAL THE INFORMATION CONTAINED IN THIS DRAWING IS THE SOLE PROPERTY OF HEVI-HAUL. ANY REPRODUCTION IN PART OR AS A WHOLE WITHOUT THE WRITTEN PERMISSION OF HEVI-HAUL IS PROHIBITED.		DRAWN BY: David M. Knaebe		CHECKED BY:		DATE: 10/2/2019	
		TITLE: Custom Skate		SCALE: 1:7		DRAWING NUMBER: D1910923-01	
						REVISION:	