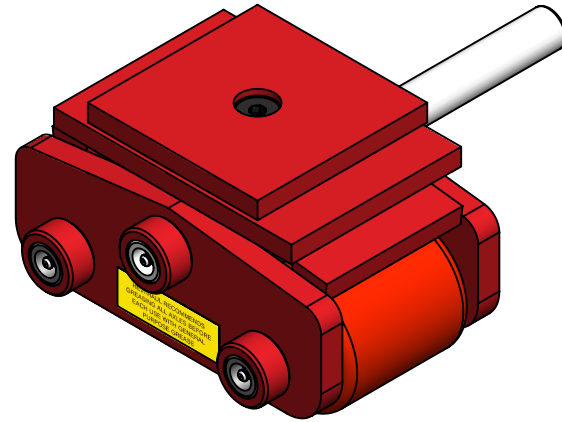


Ø3.25
POLYURETHANE
COATED ROLLERS X2



Model Number » CS-25-P
Capacity » 10 Tons Each
Length » 9"
Width » 12"
Height » 5.5"
Weight » 39 lbs
Paint » Hevi-Haul Red

Please contact us by phone or e-mail if you would like us to modify this design. Drawing is shown without welds.

<p>PROPRIETARY AND CONFIDENTIAL THE INFORMATION CONTAINED IN THIS DRAWING IS THE SOLE PROPERTY OF HEVI-HAUL. ANY REPRODUCTION IN PART OR AS A WHOLE WITHOUT THE WRITTEN PERMISSION OF HEVI-HAUL IS PROHIBITED.</p>		<p>HEVI-HAUL INTERNATIONAL, LTD. PO BOX 580 MENOMONEE FALLS, WI 53052-0580 EMAIL » SALES@HEVIHAUL.COM TOLL FREE » 1-800-558-0577 PHONE » 1-262-502-0333</p>	
<p>DIMENSIONS ARE IN INCHES DO NOT SCALE DRAWING THIRD ANGLE PROJECTION</p>	<p>DRAWN BY: DMK</p>	<p>CHECKED BY:</p>	<p>DATE: 9/5/2019</p>
<p>TITLE: CS-25-P - Specification Sheet</p>			
<p>SCALE: 1:4</p>		<p>DRAWING NUMBER: CS-25-P</p>	
<p>REVISION:</p>			<p>REVISION:</p>

