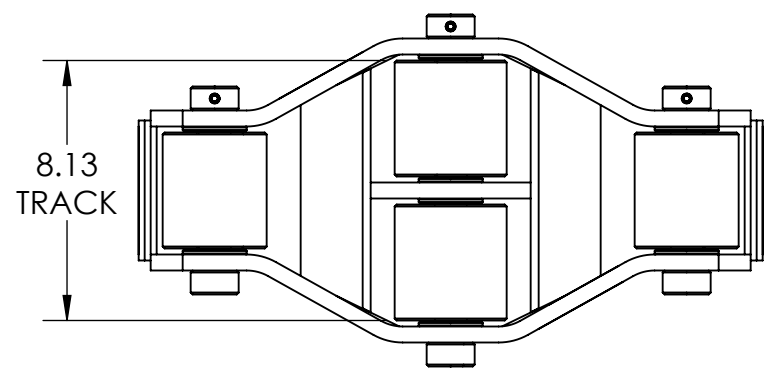




Ø 3.25  
END STEEL ROLLERS  
(2 PLACES)

Ø 3.50  
CENTER STEEL ROLLERS  
(2 PLACES)



**Model Number** » UMS-HD-30  
**Capacity** » 15 Tons Each  
**Length** » 19.50"  
**Width** » 11"  
**Height** » 4.75"  
**Weight** » 78 lbs  
**Paint** » Hevi-Haul Red

Please contact us by phone or e-mail if you would like us to modify this design. Drawing is shown without welds.

PROPRIETARY AND CONFIDENTIAL THE INFORMATION CONTAINED IN THIS DRAWING IS THE SOLE PROPERTY OF HEVI-HAUL. ANY REPRODUCTION IN PART OR AS A WHOLE WITHOUT THE WRITTEN PERMISSION OF HEVI-HAUL IS PROHIBITED.					<b>Hevi-Haul International</b> N90 W14555 Commerce Drive Menomonee Falls, WI 53051 Phone: 1-262-502-0333 Fax: 1-262-502-0260 E-Mail: sales@hevihaul.com				
TOLERANCES UNLESS NOTED BREAK SHARP EDGES		DIMENSIONS ARE IN INCHES DO NOT SCALE DRAWING THIRD ANGLE PROJECTION		DRAWN BY: <b>G.L. Schneider</b>		CHECKED BY:		DATE: <b>1/30/2017</b>	
X.XX +/- 0.030 X.XXX +/- 0.005 ANGLE +/- 0.5° MACHINE 125				TITLE: <b>UMS-HD-30 - Specification Sheet</b>		SCALE: <b>1:6</b>		DRAWING NUMBER: <b>UMS-HD-30</b>	
								REVISION:	