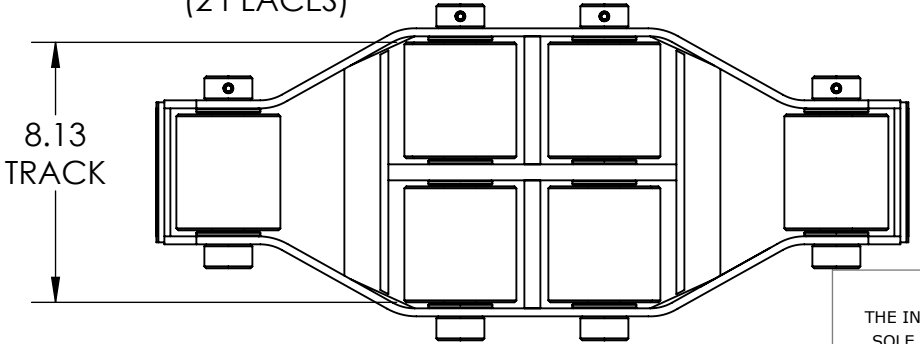


ϕ 3.25
 END STEEL ROLLERS
 (2 PLACES)

ϕ 3.50
 CENTER STEEL ROLLERS
 (4 PLACES)



Model Number » UMS-HD-15
Capacity » 7.5 Tons Each
Length » 23.50"
Width » 10.50"
Height » 4.75"
Weight » 95 lbs
Paint » Hevi-Haul Red

Please contact us by phone or e-mail if you would like us to modify this design. Drawing is shown without welds.

PROPRIETARY AND CONFIDENTIAL
 THE INFORMATION CONTAINED IN THIS DRAWING IS THE
 SOLE PROPERTY OF HEVI-HAUL. ANY REPRODUCTION IN
 PART OR AS A WHOLE WITHOUT THE WRITTEN PERMISSION
 OF HEVI-HAUL IS PROHIBITED.



Hevi-Haul International
N90 W14555 Commerce Drive
Menomonee Falls, WI 53051
Phone: 1-262-502-0333
Fax: 1-262-502-0260
E-Mail: sales@hevihaul.com

TOLERANCES UNLESS NOTED	DIMENSIONS ARE IN INCHES DO NOT SCALE DRAWING	DRAWN BY: G.L. Schneider	CHECKED BY:	DATE: 1/30/2017
BREAK SHARP EDGES	THIRD ANGLE PROJECTION	TITLE: UMS-HD-15 - Specification Sheet		
X.XX +/- 0.030 x.xxx +/- 0.005 ANGLE +/- 0.5° MACHINE 125		SCALE: 1:6	DRAWING NUMBER: UMS-HD-15	REVISION: