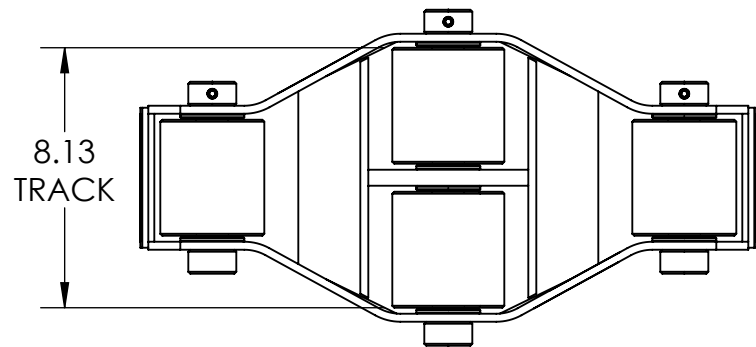



Ø 3.25  
END STEEL ROLLERS  
(2 PLACES)

Ø 3.50  
CENTER STEEL ROLLERS  
(2 PLACES)



**Model Number** » UMS-8  
**Capacity** » 4 Tons Each  
**Length** » 19.25"  
**Width** » 10.50"  
**Height** » 4.75"  
**Weight** » 66 lbs  
**Paint** » Hevi-Haul Red

Please contact us by phone or e-mail if you would like us to modify this design. Drawing is shown without welds.

|   |  |  |   |                           |  |
|---|--|--|---|---------------------------|--|
| PROPRIETARY AND CONFIDENTIAL<br>THE INFORMATION CONTAINED IN THIS DRAWING IS THE<br>SOLE PROPERTY OF HEVI-HAUL. ANY REPRODUCTION IN<br>PART OR AS A WHOLE WITHOUT THE WRITTEN PERMISSION<br>OF HEVI-HAUL IS PROHIBITED. |  |  |  |                           | <b>Hevi-Haul International</b><br>N90 W14555 Commerce Drive<br>Menomonee Falls, WI 53051<br>Phone: 1-262-502-0333<br>Fax: 1-262-502-0260<br>E-Mail: sales@hevihaul.com |
| TOLERANCES<br>UNLESS NOTED<br>X.XX +/- 0.030<br>X.XXX +/- 0.005<br>ANGLE +/- 0.5°<br>MACHINE 125  | DIMENSIONS ARE IN<br>INCHES<br>DO NOT SCALE<br>DRAWING<br>THIRD ANGLE PROJECTION | DRAWN BY:<br><b>G.L. Schneider</b><br>TITLE:<br><b>UMS-8 - Specification Sheet</b> | CHECKED BY:   | DATE:<br><b>1/30/2017</b> | REVISION:  |
| SCALE:<br><b>1:6</b>  |  |  | DRAWING NUMBER:<br><b>UMS-8</b>   |                           |  |