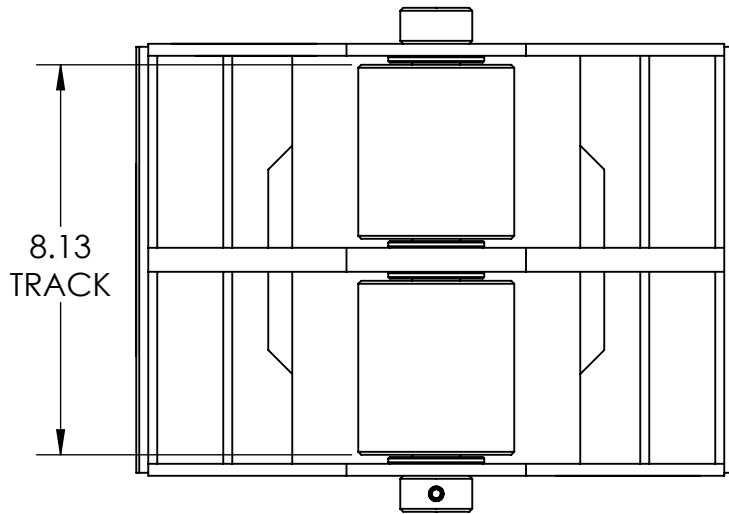
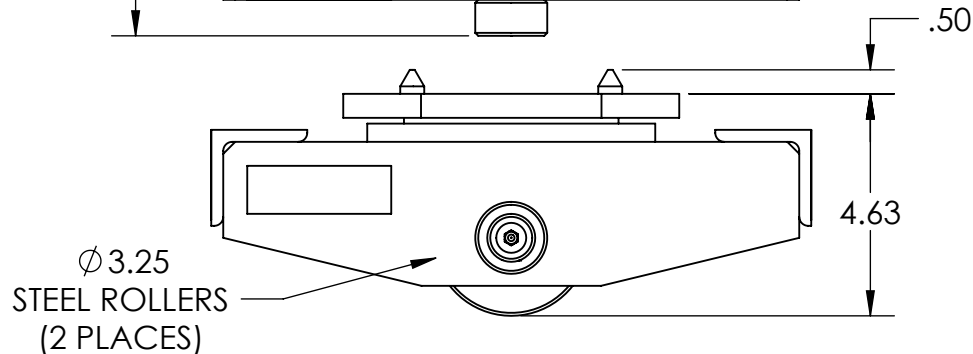



Model Number » TDS-40
Capacity » 3 Tons Each
Length » 12.50"
Width » 10.50"
Height » 4.625"
Weight » 45 lbs
Paint » Hevi-Haul Red

Please contact us by phone or e-mail if you would like us to modify this design. Drawing is shown without welds.



PROPRIETARY AND CONFIDENTIAL THE INFORMATION CONTAINED IN THIS DRAWING IS THE SOLE PROPERTY OF HEVI-HAUL. ANY REPRODUCTION IN PART OR AS A WHOLE WITHOUT THE WRITTEN PERMISSION OF HEVI-HAUL IS PROHIBITED.				Hevi-Haul International N90 W14555 Commerce Drive Menomonee Falls, WI 53051 Phone: 1-262-502-0333 Fax: 1-262-502-0260 E-Mail: sales@hevihaul.com	
TOLERANCES UNLESS NOTED	DIMENSIONS ARE IN INCHES DO NOT SCALE	DRAWN BY: G.L. Schneider	CHECKED BY:	DATE: 1/27/2017	
BREAK SHARP EDGES	THIRD ANGLE PROJECTION	TITLE: TDS-40 - Specification Sheet	SCALE: 1:4	DRAWING NUMBER: TDS-40	REVISION:
X.XX +/- 0.030					
x.xxx +/- 0.005					
ANGLE +/- 0.5°					
MACHINE 125					