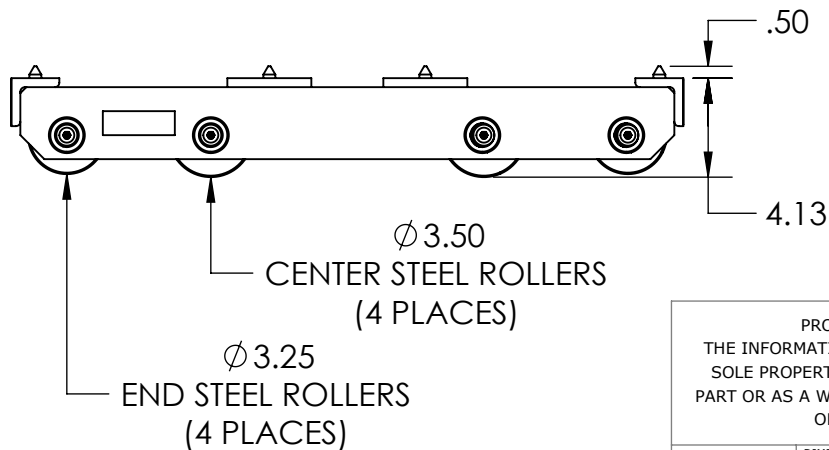




Model Number » SD-50
Capacity » 25 Tons Each
Length » 28"
Width » 11.25"
Height » 4.125"
Weight » 140lbs
Paint » Hevi-Haul Red

Please contact us by phone or e-mail if you would like us to modify this design. Drawing is shown without welds.



PROPRIETARY AND CONFIDENTIAL THE INFORMATION CONTAINED IN THIS DRAWING IS THE SOLE PROPERTY OF HEVI-HAUL. ANY REPRODUCTION IN PART OR AS A WHOLE WITHOUT THE WRITTEN PERMISSION OF HEVI-HAUL IS PROHIBITED.				Hevi-Haul International N90 W14555 Commerce Drive Menomonee Falls, WI 53051 Phone: 1-262-502-0333 Fax: 1-262-502-0260 E-Mail: sales@hevihaul.com	
TOLERANCES UNLESS NOTED BREAK SHARP EDGES		DIMENSIONS ARE IN INCHES DO NOT SCALE DRAWING		DRAWN BY: G.L. Schneider	
X.XX +/- 0.030 x.xxx +/- 0.005 ANGLE +/- 0.5° MACHINE 125		THIRD ANGLE PROJECTION 		CHECKED BY: DATE: 1/27/2017	
TITLE: SD-50 - Specification Sheet				SCALE: 1:8	
DRAWING NUMBER: SD-50				REVISION:	