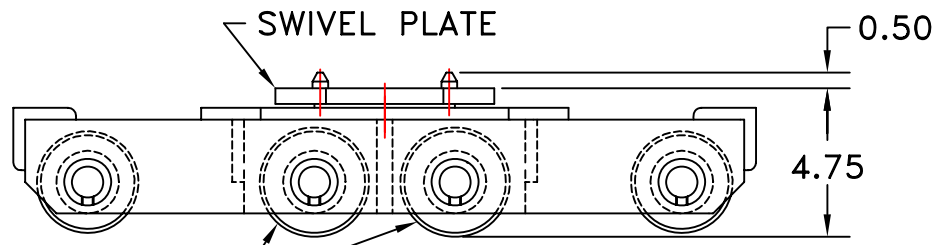
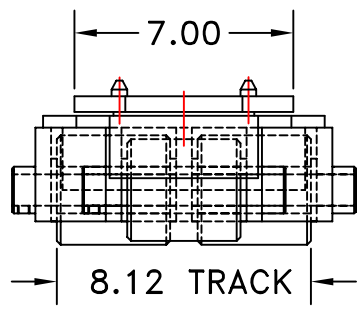


3.25"Ø END ROLLERS  
(2 PLACES)



3.5"Ø CENTER ROLLERS  
(4 PLACES)



HEVI-HAUL SKATE

MODEL: UMS-HD-75  
NON-TILT TYPE UTILITY  
SWIVEL-TOP SKATE  
CAPACITY: 37.5 TONS  
(STEEL ROLLERS)  
UNIT WEIGHT: 112 LBS.  
COLOR: HEVI-HAUL RED

ROLLER OPTIONS:

POLY (POLYURETHANE) COATED ROLLERS  
CAPACITY: 20.0 TONS  
UNIT WEIGHT: 90.0 LBS.

NYLON ROLLERS  
(BEARINGS WITH SEALS)  
CAPACITY: 8.0 TONS  
UNIT WEIGHT: 76.5 LBS.

OPTIONAL EQUIPMENT:  
SWIVEL LOCK  
TOW/STEER HANDLE  
W/O CLEATS  
GUIDE ROLLERS

A REV 1-29-07 4.75 W 5.00 CORRECT



MENOMONEE FALLS, WISCONSIN U.S.A.  
PHONE: 800-558-0577  
262-502-0333  
FAX: 262-502-0260  
WEB SITE: WWW.HEVIHAUL.COM

THIS DRAWING IS THE PROPERTY OF HEVI-HAUL INTERNATIONAL, LTD. ALL THE INFORMATION THEREON IS CONFIDENTIAL AND MUST NOT BE MADE PUBLIC, NOR COPIED, NOR USED TO THE DISADVANTAGE OF HEVI-HAUL INTERNATIONAL, LTD., AND IS SUBJECT TO RETURN ON DEMAND.

REV. 2001	DATE: 01-05-01	DRAWN BY: J.P WARREN
SPEC. SHEET MODEL:		

UMS-HD-75