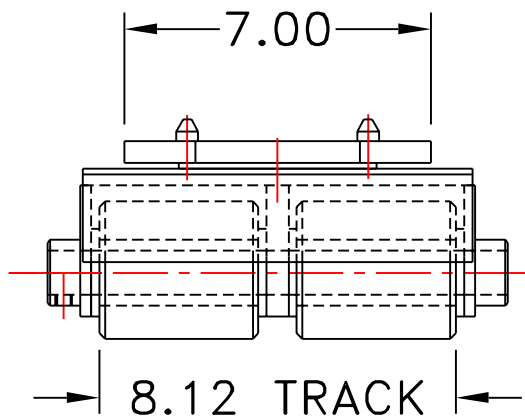


3.25"  $\phi$  ROLLER  
(2 PLACES)



HEVI-HAUL SKATE

MODEL: TDS-40  
HEVI-HAUL STANDARD SKATE

CAPACITY: 3.0 TONS

(STEEL ROLLERS)

UNIT WEIGHT: 45 LBS.

COLOR: HEVI-HAUL RED

ROLLER OPTIONS:

POLY (POLYURETHANE) COATED ROLLERS

CAPACITY: 3.0 TONS

UNIT WEIGHT: 40.0 LBS.

NYLON ROLLERS

(BEARINGS WITH SEALS)

CAPACITY: 3.0 TONS

UNIT WEIGHT: 35 LBS.

OPTIONAL EQUIPMENT:

SWIVEL LOCK

TURNING HANDLE

W/O CLEATS

GUIDE ROLLERS



MENOMONEE FALLS, WISCONSIN U.S.A.

PHONE: 800-558-0577

262-502-0333

FAX: 262-502-0260

WEB SITE: WWW.HEVIHAUL.COM

THIS DRAWING IS THE PROPERTY OF HEVI-HAUL INTERNATIONAL, LTD. ALL THE INFORMATION THEREON IS CONFIDENTIAL AND MUST NOT BE MADE PUBLIC, NOR COPIED, NOR USED TO THE DISADVANTAGE OF HEVI-HAUL INTERNATIONAL, LTD., AND IS SUBJECT TO RETURN ON DEMAND.

REV 2001 DATE 01-10-01 DRAWN BY: J.P. WARREN

SPEC. SHEET MODEL

TDS-40