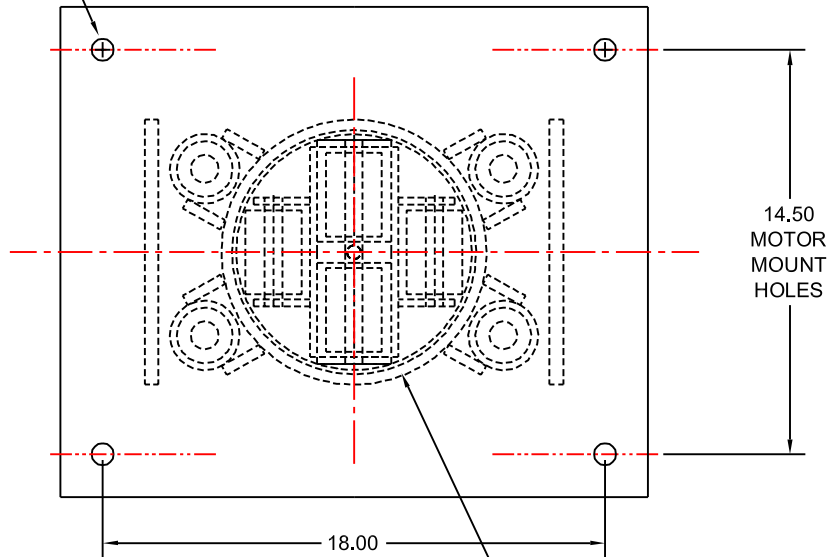
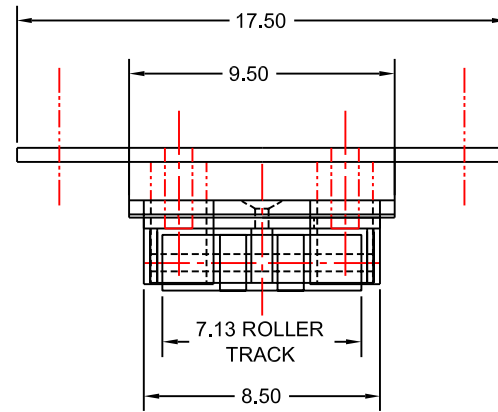


MOTOR MOUNTING HOLES
PLATE TO MOUNT BETWEEN
BRACKET AND MOTOR BASE

SWIVEL ROLLER BASE
4-2" DIA ROLLERS
WITH H.D. ROLLER BEARINGS
WITH GREASE SEALS



SPRING PLATE AND
MOTOR MOUNT PLATE
ROTATE 360° ON SKATE



SPECIAL SWIVEL SKATE
CAPACITY: 2 TONS
FOR MOTOR & FRAME REMOVAL
MOTOR: T444 NEMA
FRAME: ADJUSTABLE
ROLLERS: 2" DIA- 4 PLACES

PAINT: HEVI-HAUL RED

	Menomonee Falls Wisconsin U.S.A. 800-558-0577	
	DRAWN BY: J.P. WARREN	CHECKED BY: DATE:
	SCALE: 1/2	PART NO.:
	TITLE: SPECIAL SWIVEL SKATE 2 TONS	
REV.	DATE	DWG. NO.: SN 23379