

HEVI-HAUL SKATE

MODEL: SD-50

HEVI-HAUL HEAVY-DUTY SKATE

CAPACITY: 25.0 TONS

(STEEL ROLLERS)

UNIT WEIGHT: 140 LBS.

COLOR: HEVI-HAUL RED

OPTION AVAILABLE AT NO ADDITIONAL COST
8 EQUAL (3.25" DIA.) ROLLERS TO MAXIMIZE
LOAD DISTRIBUTION. 25.0 TON CAPACITY ON
STEEL ROLLERS

ROLLER OPTIONS:

POLY (POLYURETHANE) COATED ROLLERS

STANDARD CAPACITY: 20.0 TONS

UNIT WEIGHT: 112 LBS.

ALL EQUAL SIZE ROLLERS CAPACITY: 25.0 TONS

NYLON ROLLERS

(BEARINGS WITH SEALS)

STANDARD CAPACITY: 8.0 TONS

UNIT WEIGHT: 94 LBS.

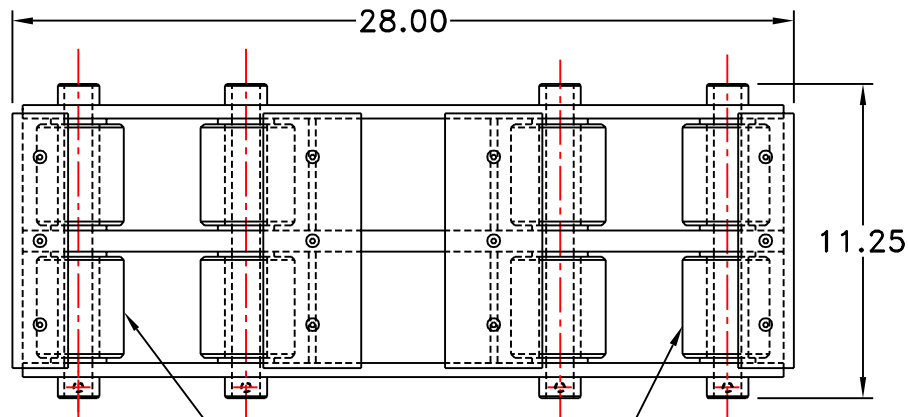
ALL EQUAL SIZE ROLLERS CAPACITY: 16.0 TONS

OPTIONAL EQUIPMENT:

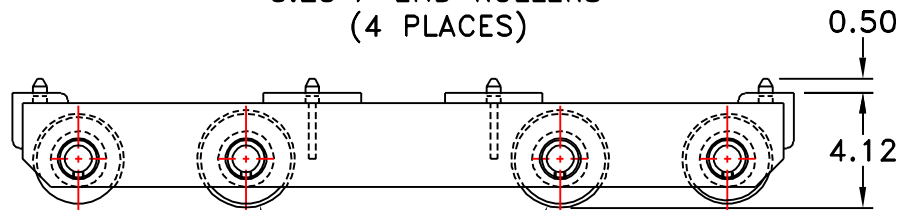
W/O CLEATS

GUIDE ROLLERS

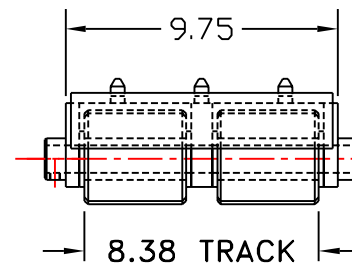
FLAT TOP



**3.25"Ø END ROLLERS
(4 PLACES)**



**3.5"Ø CENTER
ROLLERS (4 PLACES)**



8.38 TRACK



MENOMONEE FALLS, WISCONSIN U.S.A.

PHONE: 800-558-0577

262-502-0333

FAX: 262-502-0260

WEB SITE: WWW.HEVIHAUL.COM

THIS DRAWING IS THE PROPERTY OF HEVI-HAUL
INTERNATIONAL, LTD. ALL THE INFORMATION
THEREON IS CONFIDENTIAL AND MUST NOT BE
MADE PUBLIC, NOR COPIED, NOR USED TO THE
DISADVANTAGE OF HEVI-HAUL INTERNATIONAL,
LTD., AND IS SUBJECT TO RETURN ON DEMAND.

REV: 2001 DATE: 01-09-01 DRAWN BY: J.P. WARREN

SPEC. SHEET MODEL

SD-50