

HEVI-HAUL SKATE

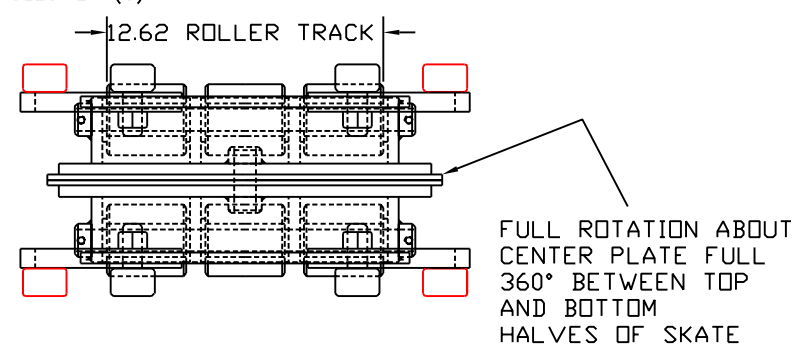
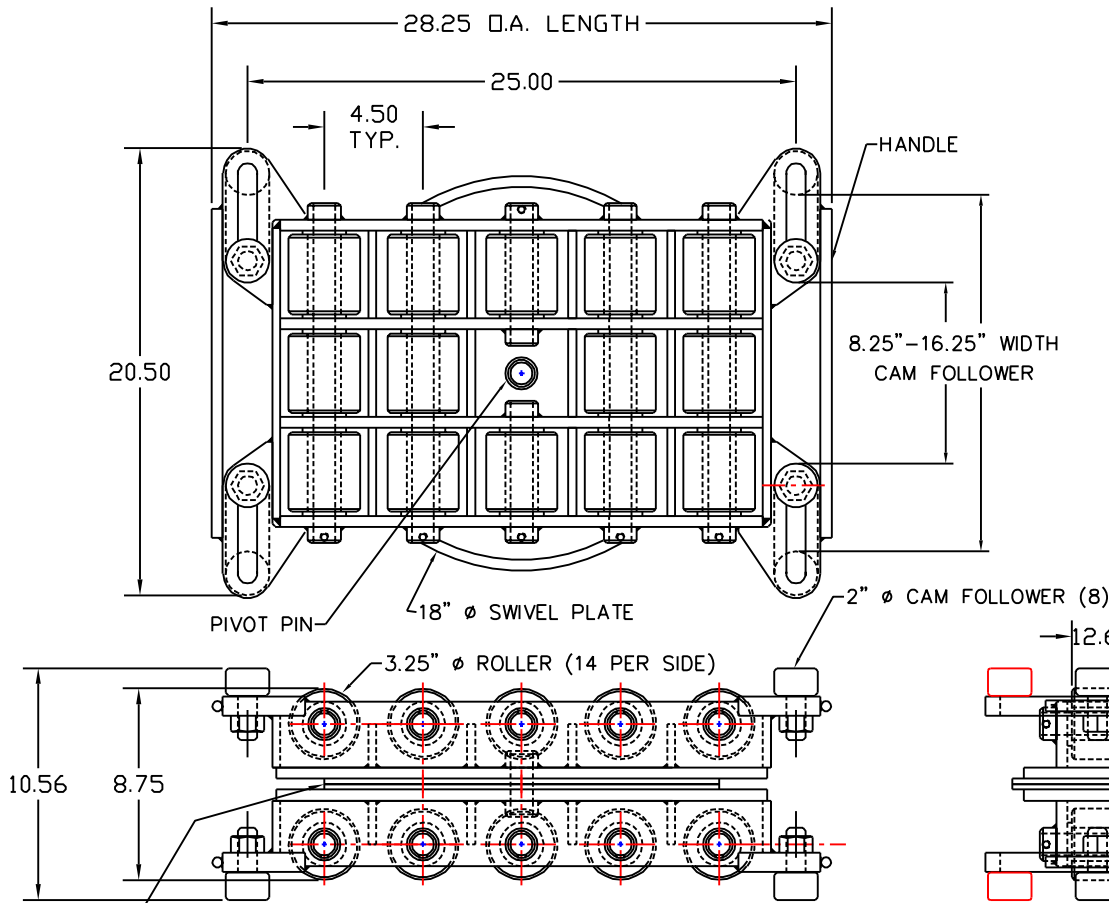
MODEL: HM-100
HOUSEMOVER SKATE

CAPACITY: 100 TONS
 (STEEL ROLLERS)
UNIT WEIGHT: 590 LBS.

COLOR: HEVI-HAUL RED

ROLLER OPTIONS:

POLY (POLYURETHANE) COATED ROLLERS
 OR
NYLON ROLLERS
 (BEARINGS WITH SEALS)
CONSULT FACTORY FOR CAPACITY
WITH OPTIONAL ROLLERS



SKATE CAN BE SPLIT INTO TWO HALFS AND EACH USED AS SEPERATE SKATE WITH CAPACITY OF 100 TONS EACH (CAUTION: PROTECT GROUND SURFACE OF SWIVEL PLATE FROM DAMAGE IN SPLIT APPLICATIONS)



MENOMONEE FALLS, WISCONSIN U.S.A.
PHONE: 800-558-0577
262-502-0333
FAX: 262-502-0260
WEB SITE: WWW.HEVIHAUL.COM

THIS DRAWING IS THE PROPERTY OF HEVI-HAUL INTERNATIONAL, LTD. ALL THE INFORMATION THEREON IS CONFIDENTIAL AND MUST NOT BE MADE PUBLIC, NOR COPIED, NOR USED TO THE DISADVANTAGE OF HEVI-HAUL INTERNATIONAL, LTD., AND IS SUBJECT TO RETURN ON DEMAND.

REV 2001 DATE 01-11-01 DRAWN BY: J.P. WARREN

SPCC SHEET MODEL

HM-100