

HEVI-HAUL SKATE

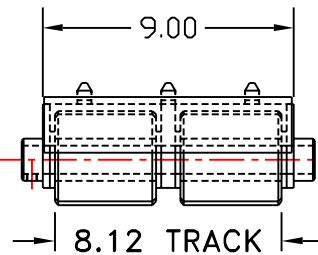
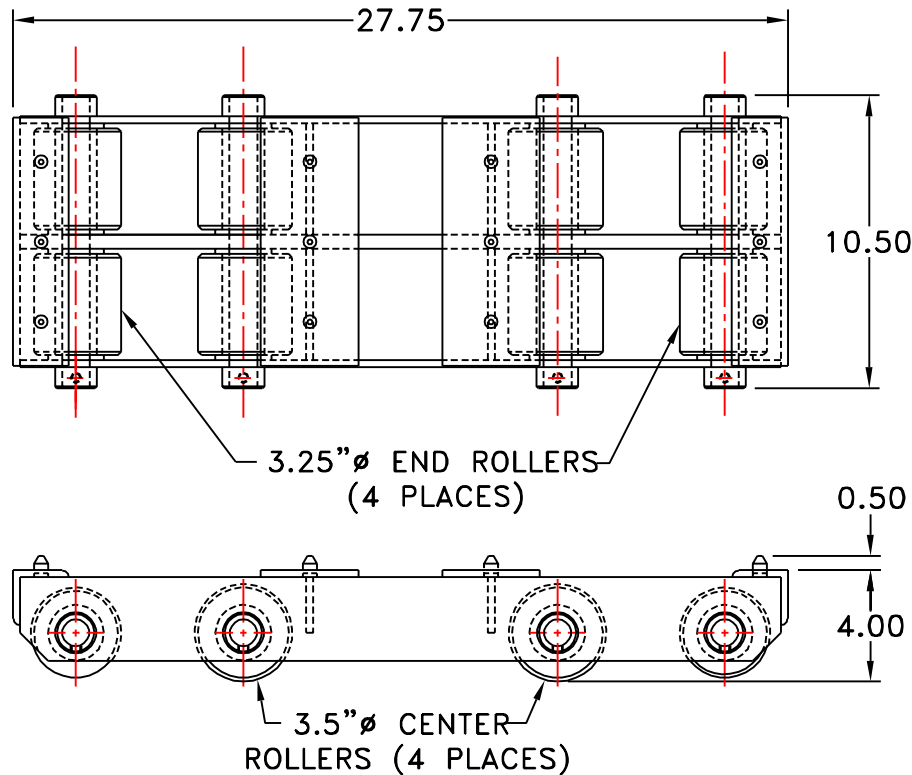
MODEL: HD-15
HEVI-HAUL HEAVY-DUTY SKATE
CAPACITY: 10.0 TONS
 (STEEL ROLLERS)
UNIT WEIGHT: 110 LBS.
COLOR: HEVI-HAUL RED

OPTION AVAILABLE AT NO ADDITIONAL COST
 8 EQUAL (3.25" DIA.) ROLLERS TO MAXIMIZE
 LOAD DISTRIBUTION. 10.0 TON CAPACITY ON
 STEEL ROLLERS

ROLLER OPTIONS:
POLY (POLYURETHANE) COATED ROLLERS
 STANDARD CAPACITY: 10.0 TONS
 UNIT WEIGHT: 82 LBS.
 ALL EQUAL SIZE ROLLERS CAPACITY: 10.0 TONS

NYLON ROLLERS
 (BEARINGS WITH SEALS)
 STANDARD CAPACITY: 8.0 TONS
 UNIT WEIGHT: 64 LBS.
 ALL EQUAL SIZE ROLLERS CAPACITY: 10.0 TONS

OPTIONAL EQUIPMENT:
 W/O CLEATS
 GUIDE ROLLERS
 FLAT TOP



MENOMONEE FALLS, WISCONSIN U.S.A.
 PHONE: 800-558-0577
 262-502-0333
 FAX: 262-502-0260
 WEB SITE: WWW.HEVIHAUL.COM

THIS DRAWING IS THE PROPERTY OF HEVI-HAUL INTERNATIONAL, LTD. ALL THE INFORMATION THEREON IS CONFIDENTIAL AND MUST NOT BE MADE PUBLIC, NOR COPIED, NOR USED TO THE DISADVANTAGE OF HEVI-HAUL INTERNATIONAL, LTD., AND IS SUBJECT TO RETURN ON DEMAND.

REV. 2001	DATE: 01-09-01	DRAWN BY: J.P. WARREN
SPEC. SHEET MODEL		

HD-15