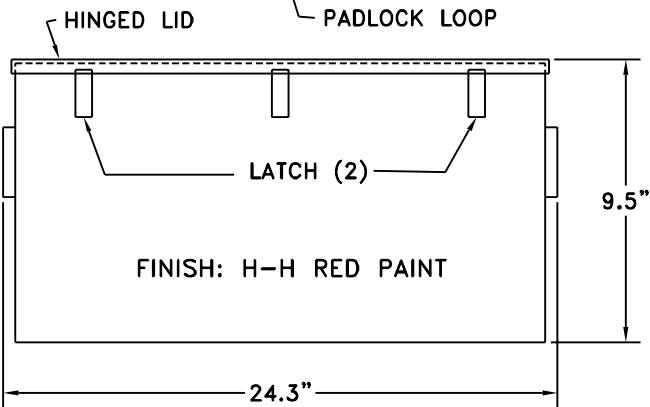
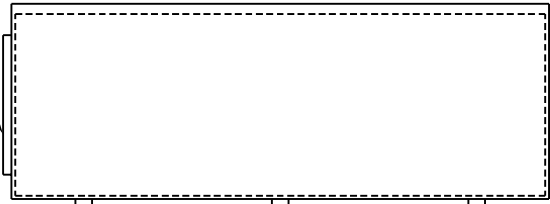
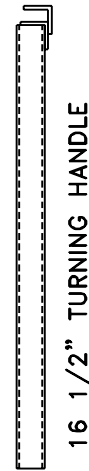


CHEST HANDLES  
FOLD DOWN (BOTH ENDS)



**KIT TO CONTAIN:**  
 4-3000 LBS.(1.5 TON) CS-3 SWIVEL TOP SKATES  
 (SEE CS-3 SPEC. DETAIL SHEET FOR ADDITIONAL INFORMATION)  
 1- 16 1/2" TURNING HANDLE  
 STEEL STORAGE BOX  
 (AS SHOWN HERE)



16 1/2" TURNING HANDLE

**HEVI-HAUL SKATE**

MODEL: CS-12K  
 COMPACT SWIVEL KIT  
 TOTAL KIT CAPACITY 6.0 TONS  
 TOTAL KIT WEIGHT: 143 LBS.

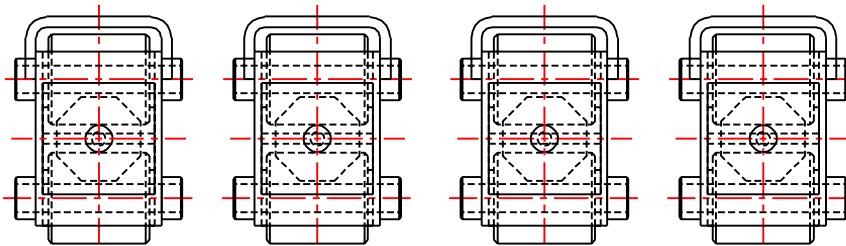
PER SKATE CAPACITY: 1.5 TONS  
 (STEEL ROLLERS)  
 UNIT WEIGHT: 30 LBS.  
 COLOR: HEVI-HAUL RED

**ROLLER OPTIONS:**

POLY (POLYURETHANE) COATED ROLLERS  
 TOTAL KIT CAPACITY: 6.0 TONS  
 TOTAL KIT WEIGHT: 120 LBS.

NYLON ROLLERS  
 (BEARINGS WITH SEALS)  
 TOTAL KIT CAPACITY: 6.0 TONS  
 UNIT WEIGHT: 101.5 LBS.

OPTIONAL EQUIPMENT:  
 SWIVEL LOCK  
 EXTRA TURNING HANDLE  
 GUIDE ROLLERS



4-3000 LBS.(1.5 TON) CS-3 SWIVEL TOP SKATES



MENOMONEE FALLS, WISCONSIN U.S.A.  
 PHONE: 800-558-0577  
 262-502-0333  
 FAX: 262-502-0260  
 WEB SITE: WWW.HEVIHAUL.COM

THIS DRAWING IS THE PROPERTY OF HEVI-HAUL INTERNATIONAL, LTD. ALL THE INFORMATION THEREON IS CONFIDENTIAL AND MUST NOT BE MADE PUBLIC, NOR COPIED, NOR USED TO THE DISADVANTAGE OF HEVI-HAUL INTERNATIONAL, LTD., AND IS SUBJECT TO RETURN ON DEMAND.

REV: 2001 DATE: 01-10-01 DRAWN BY: J.P. WARREN  
 SPEC: SHEET MODEL

CS-12K